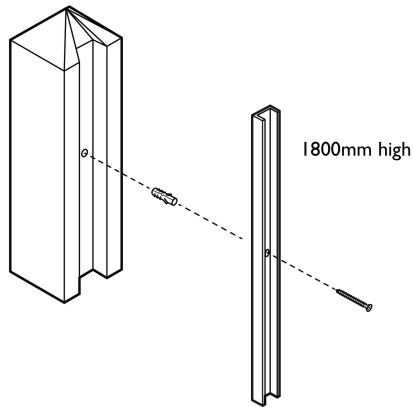


Concrete Post Adapter/Wall Channel for Composite & Aluminium Fencing Slats - U channel Rails for concrete post / wall fixing - Black

£47.40 **£26.40**



*Requires drilling - screws + plugs not included

Sold individually. Powder Black RAL9005. 1.8m lengths ie. for 6ft fence above ground or cut in half to 900mm/3ft fences. [To buy our composite fencing slats click here.](#) Note this is designed for our composite fence slats only due to the tight tolerances needed - wont fit other brands. Our fence slats are 1800mm wide. Will suit posts 1800mm or less only.

Not predrilled. Do not come with fixings.

[Long lasting, Maintenance Free Composite Fencing] Alternative to traditional timber fence panels which (no need to stain or seal) & Mould / moisture resistant & splinter resistant)

[Double sided/Reversible Composite Boards] Gives that modern clean look on both sides of the fence whether split between a neighbour or creating a garden screen/balcony surround - composite fencing will be sure to look great from any angle

[Ease of install Tongue & Groove Composite Panels] 6ft /1800mm wide Tongue & Groove composite fence panels simply drop and slot in between the aluminium upright post channels, locking into place on top of one another - no need for exposed screws or nail heads giving a clean, minimalist look

[Aluminium Posts for Surface fixing or concreting in] Supplied complete with matt Black powder coated aluminium posts with options of base plate for surface fixing onto existing floors such as concrete, patios, decks OR longer posts for concreting straight in/sunk in the ground (2400mm for 6ft height / 1200mm for 3ft high posts)

Composite Fence Panel Technical Specs**Board Length: 6ft / 1770mm****Board Width: 161.5mm (150mm finished width once the tongue/groove is locked into place ie. 3ft/900mm fence = 5 boards/slats - 4ft/1200mm boards/slats - 5ft/1500mm 9 boards/slats - 6ft/1800mm fence = 11 boards/slats****Board Thickness: 20mm reversible both sides****Each board weighs approximately 4.1kg****Fixing post centres 1800mm +/-5mm. Can be cut shorter for shorter spans between posts****Material: Polyethelyne****Fire classification of construction products: BS EN 13501-1 Class B****Aluminium upright posts technical specs****Size: 75mm x 75mm x various heights - 900mm / 1200mm / 1500mm / 1800mm / 2400mm for surface fixing with base plate or 1200mm / 1500mm / 1800mm / 2400mm for concrete in (300mm - 600mm below ground respectively)****Colour: Matt Black Powder Coated comes complete with PVC plastic post top cap****c/w channels on 3 sides for continuous inline fencing or 90° corner + 1 infill trim for the unused groove per post****Can be cut with a mitre/chop saw to the desired height should you opt for a custom height fence ie. 600mm to fix on to existing wall****U Chanel for header / footer on between posts in matt black to match + 4 L brackets + 12 x self drilling screws to suit****If above ground/surface fixing, comes with a 120mm x 120mm base plate, PVC plastic base plate cover , 1 x self drilling screw****If below ground/concrete in - 300mm extra on the 900mm posts ie. 1200mm total, 300mm on the 1200mm posts ie. 1500mm, 300mm on the 1500mm posts ie. 1800mm and 600mm extra on the 1800mm posts ie. 2400mm****Per 1800mm section/panel you will get:****11 x composite fence boards 1800mm x 20mm****1 x aluminium extruded fence posts + 2 infill trim*******1 x END POST IF YOU SELECT THE ADD ON END POST****2 x aluminium U channel header & footer bars****1 PVC post cap**

4 x L bracket aluminium post connectors

12 x stainless steel fixings

******1 x 120mm x 120mm surface mount plate if above ground installation selected***

[DOWNLOAD INSTALLATION INSTRUCTIONS / MANUAL](#)

NOTE: due to manufacturing tolerances with regards to batch variation, we recommend ordering all material for a project at the same time, from the same batch as we cannot be held responsible for any variation that occurs between batches.