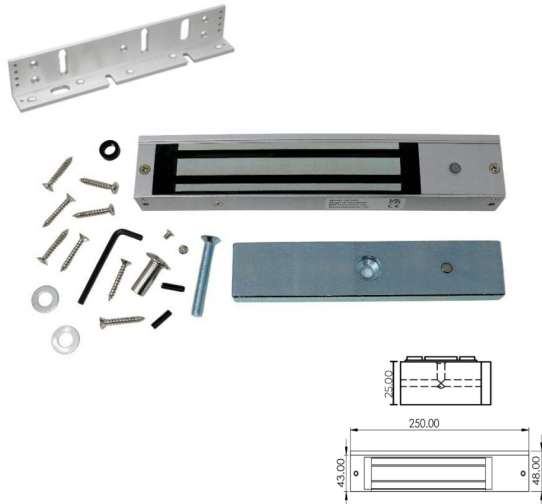


**Maglock - Magnetic Electronic Door Lock (supplied loose) - 12/24V DC 300kg****£70.80**

Electromagnetic door lock with a 300Kg holding force and built-in surge protection. Supplied loose for customer to drill/bolt in their desired position. NOTE - 12V/24V DC MAG LOCK ONLY - DOESNT COME WITH ANY INTERCOM, BUTTONS, SWITCHES, BUZZERS, KEYPAD, RELEASE BUTTON ETC

Anodised aluminium finish. Supplied with L angle bracket. Usually designed for opening outward doors as the lock sits on the internal side of the door frame.

250x42x25 (mm)

NOTE this is an unmonitored version.