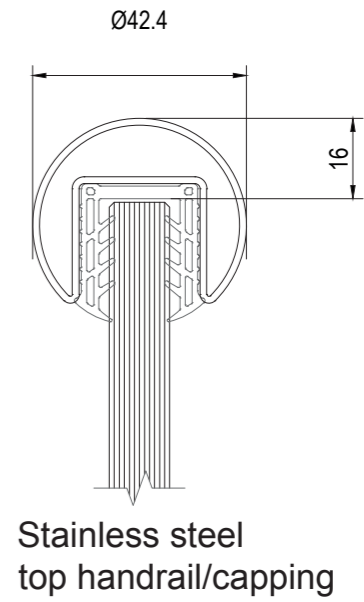
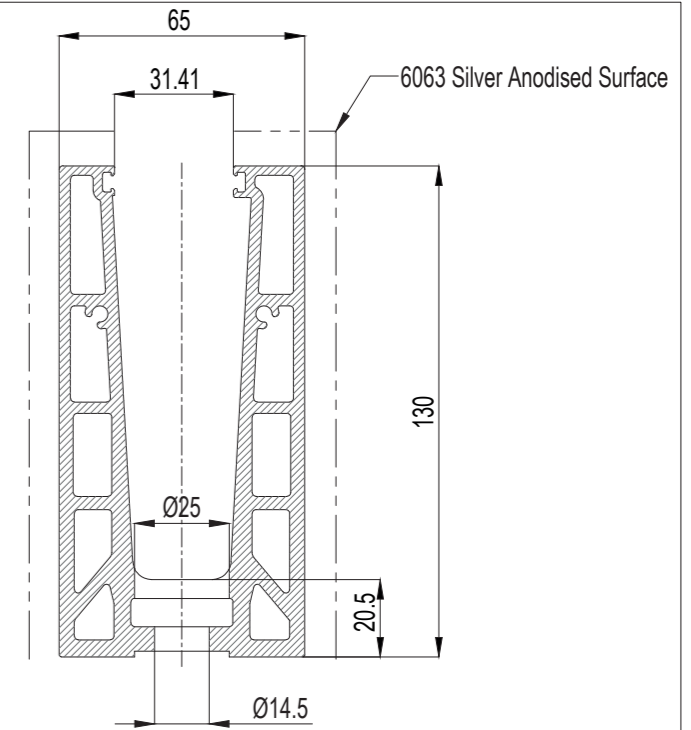
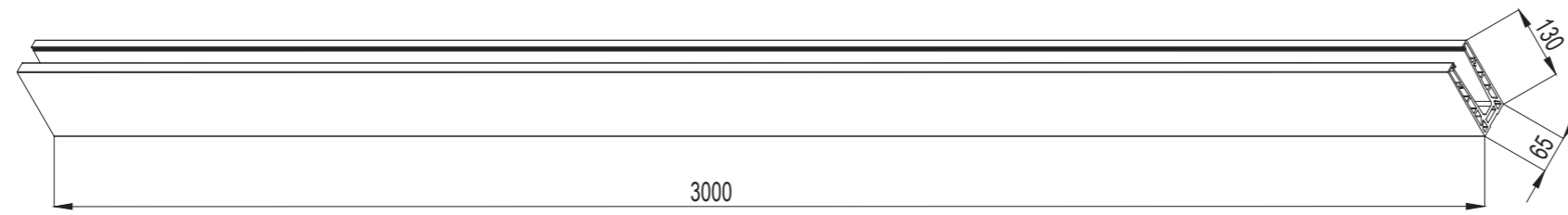


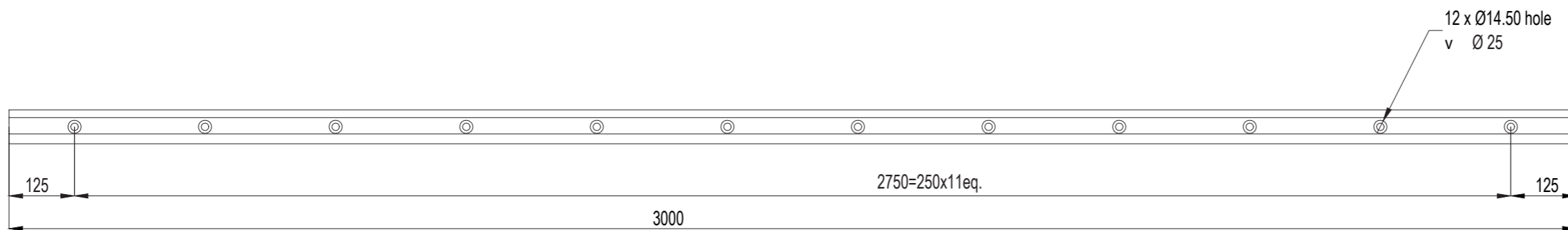
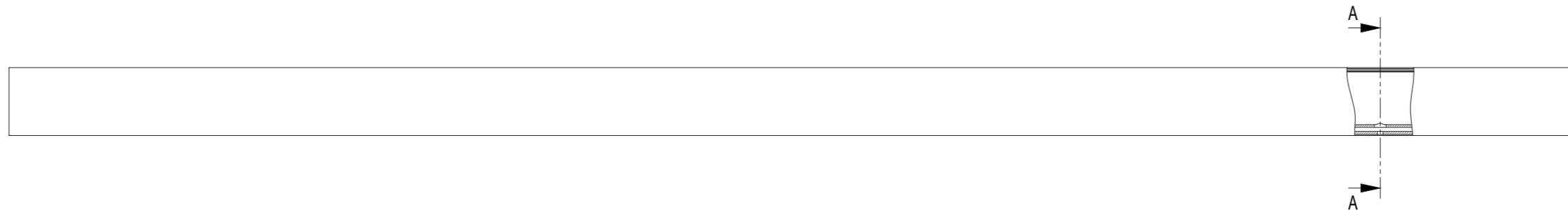
1. Aluminum Balustrade Channel
2. Toughened Glass (Width According to Spec)
3. Inlays
Outer Wedge L-Shape (Type A)
Inner Wedge 2 Pc (Type B)
4. Rubber Gasket
a. Outside Rubber Gasket/Type A
b. Inside Rubber Gasket / Type B
5. Anchor Bolts



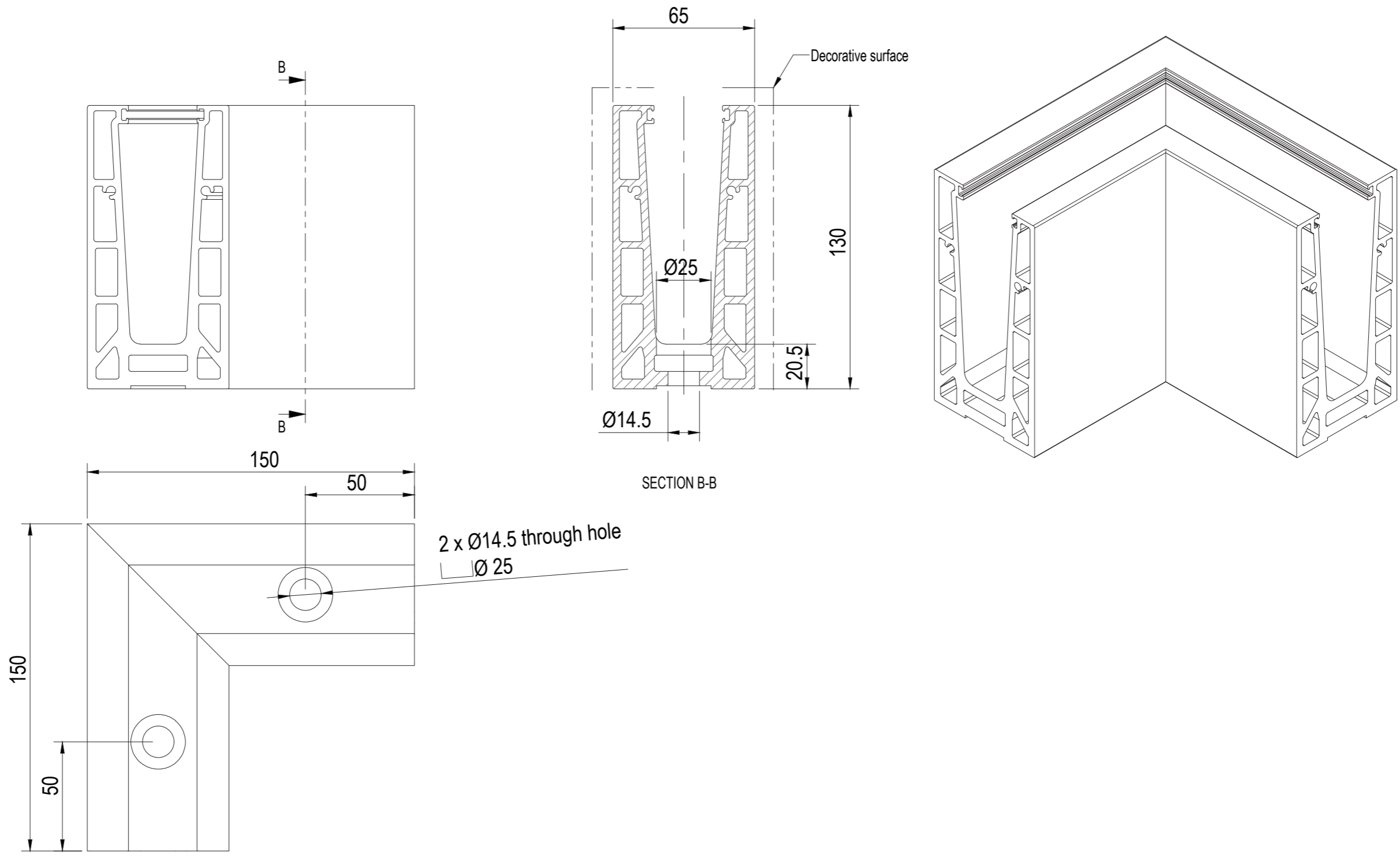
						DRAWN <i>Kim</i> DESIGNED 22/12/2025		PROJECT Aluminum Frameless Glass Balustrade Channel		TITLE Assembly drawing		SCALE AS SHOWN SHEET	
						APPROVED		MATERIAL		FINISH		PROJECT No. WBS TYPE NUMBER REV - - - -	
ISSUE	DATE	DESCRIPTION	BY					DRAWING No.					



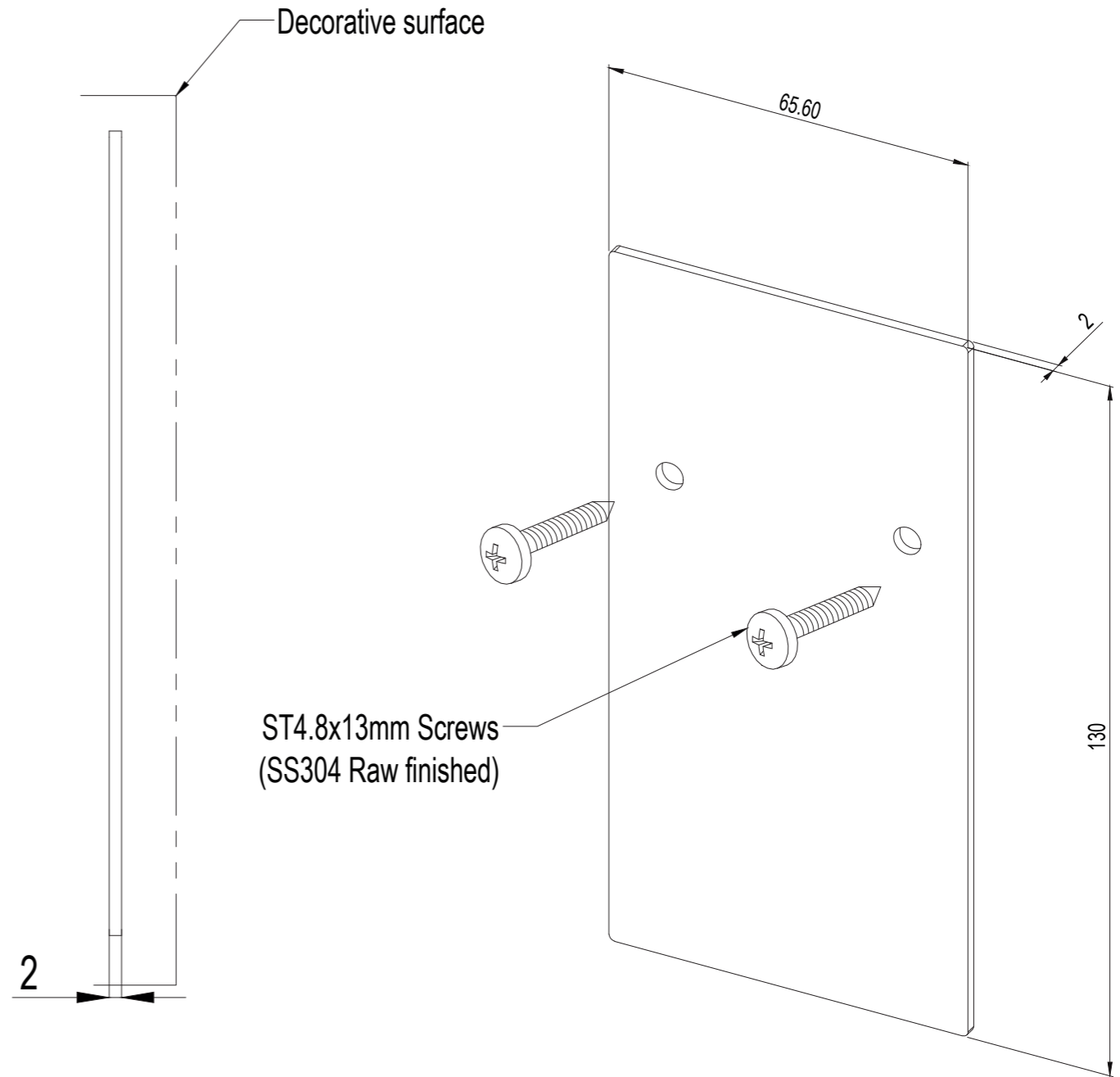
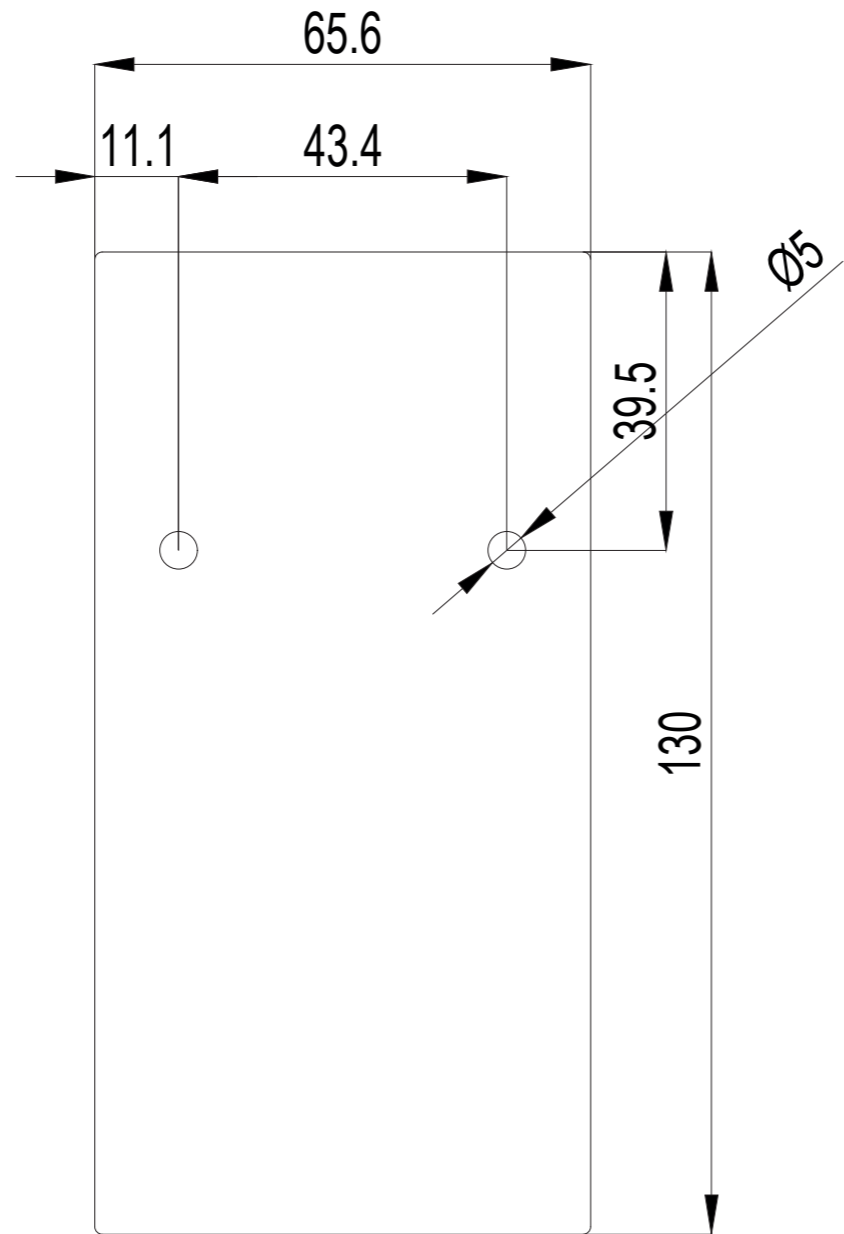
SECTION A-A



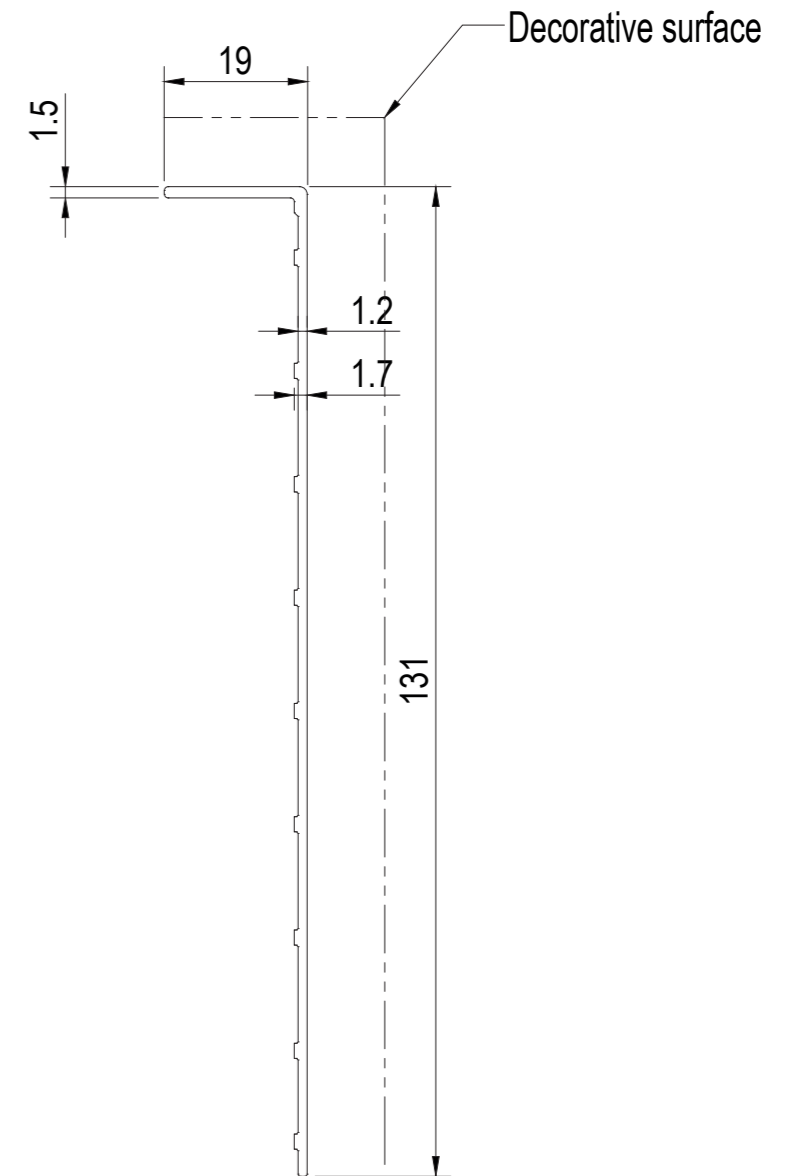
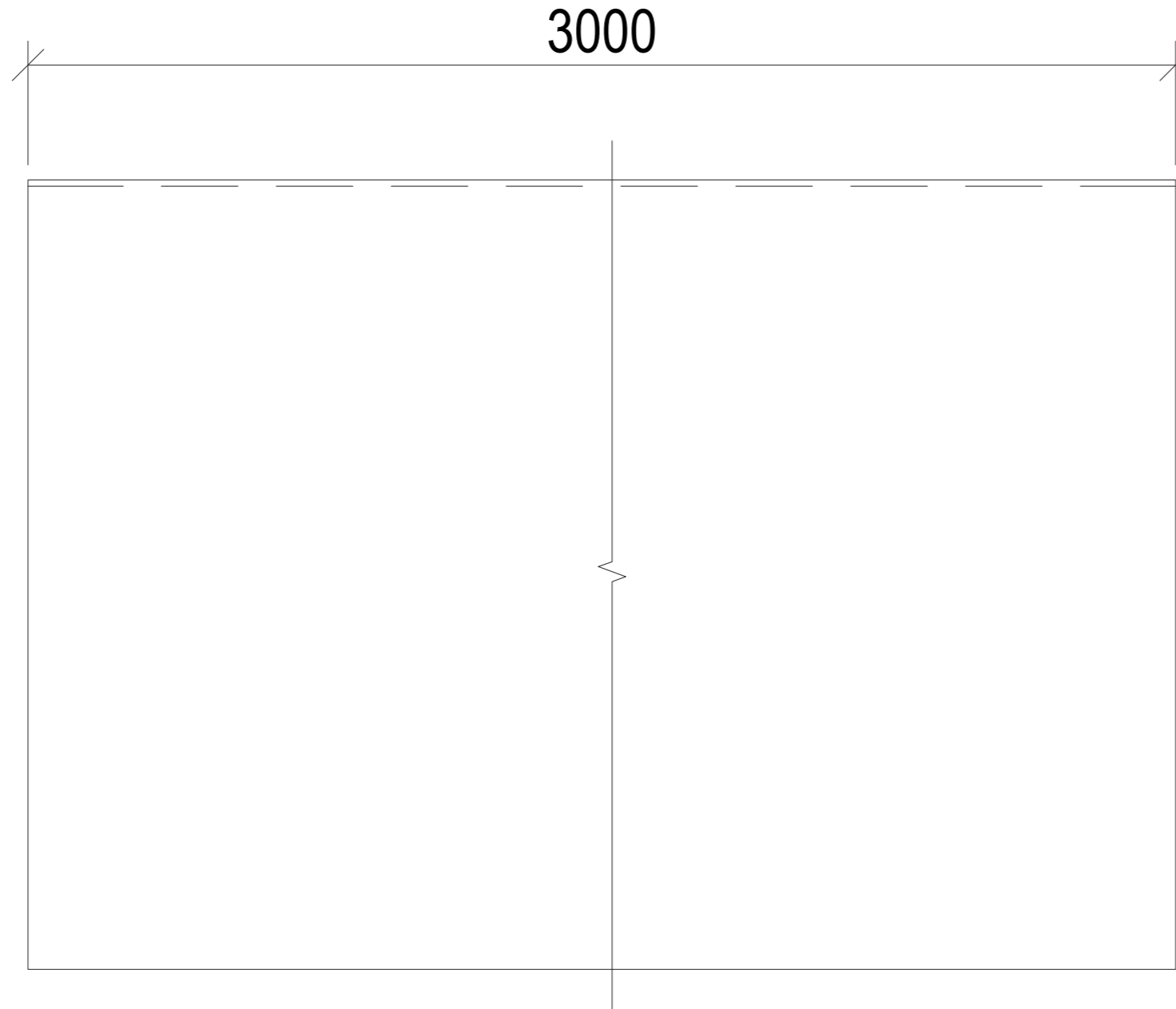
		THIS IS WHOLESALE CO.UK		DRAWN <i>Kim</i> DESIGNED		09/01/2026		PROJECT		TITLE Aluminum Frameless Glass Balustrade Channel		SCALE AS SHOWN	
				APPROVED				MATERIAL 6063-T6		FINISH		PROJECT No. WBS TYPE NUMBER REV	
ISSUE	DATE	DESCRIPTION		BY				DRAWING No.		-		-	



						DRAWN <i>Kim</i> DESIGNED 22/12/2025		PROJECT 150mm Corner		TITLE Aluminum Frameless Glass Balustrade Channel		SCALE AS SHOWN	
						APPROVED		MATERIAL 6063-T6		FINISH		PROJECT No. WBS TYPE NUMBER REV - - - -	
ISSUE	DATE	DESCRIPTION	BY										

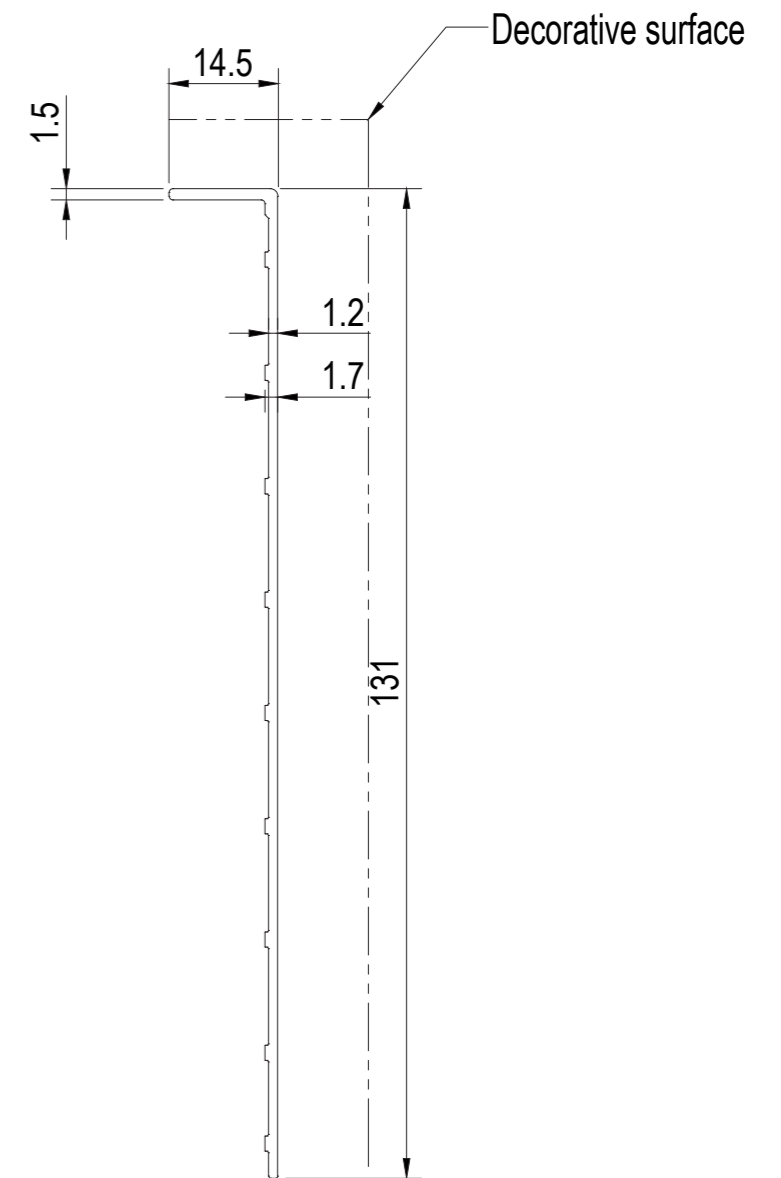
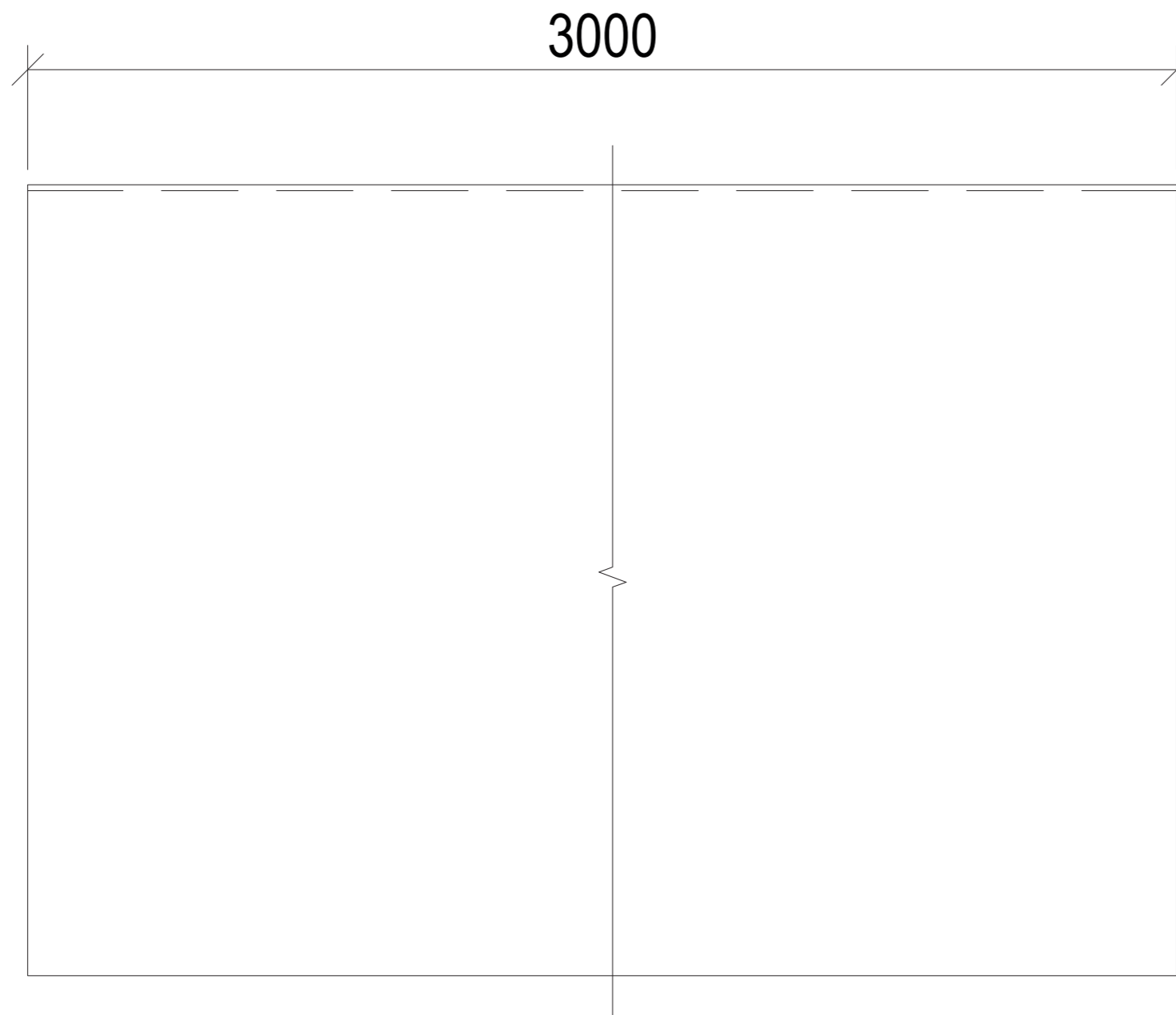


						DRAWN <i>Kim</i> DESIGNED 22/12/2025		PROJECT Aluminum Frameless Glass Balustrade Channel		TITLE End Cap		SCALE AS SHOWN	
												SHEET	
								MATERIAL Aluminum 1100		FINISH		PROJECT No. WBS TYPE NUMBER REV	
ISSUE DATE DESCRIPTION BY								DRAWING No.		- - -		- -	



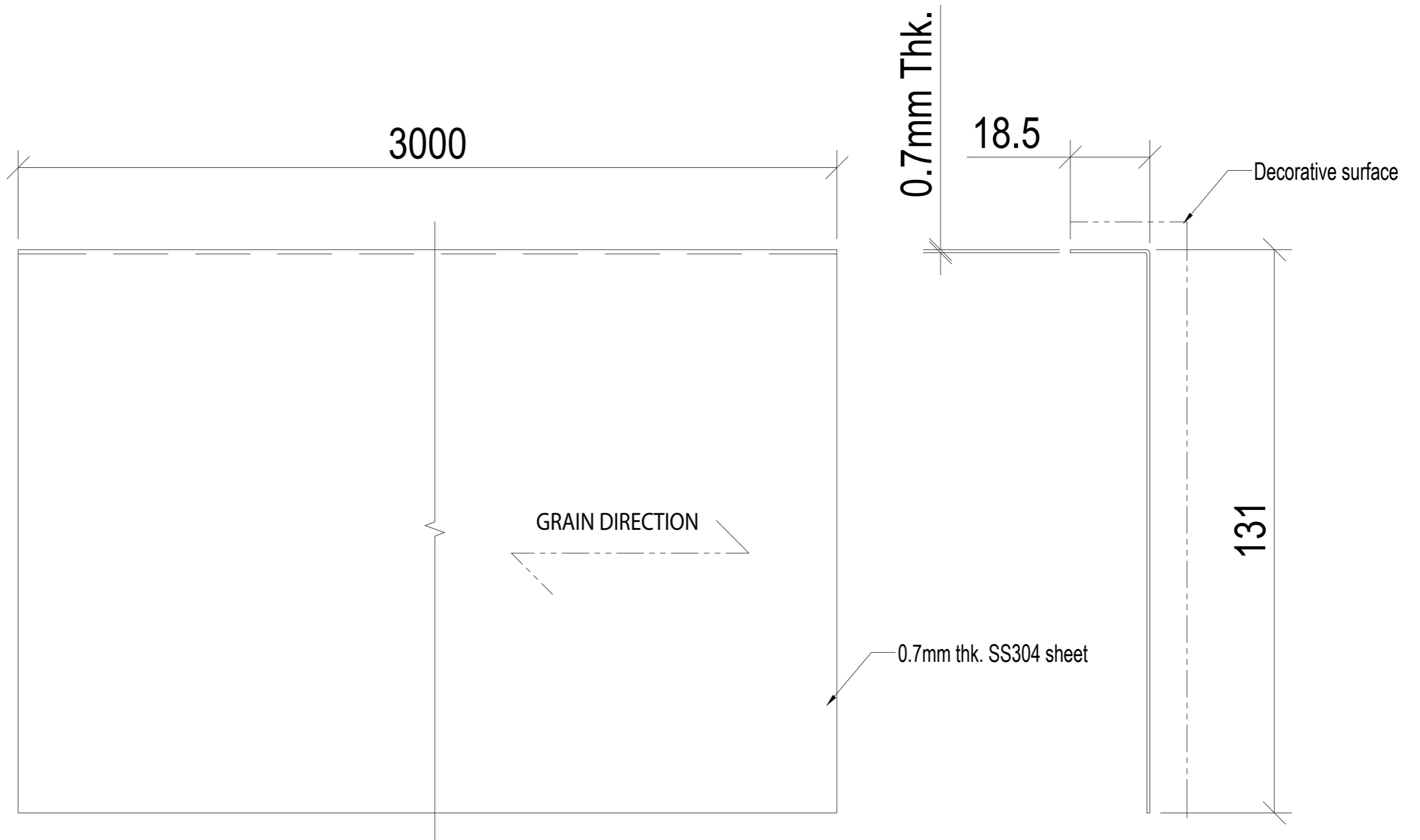
Notes:
 Finish: MATT Powder Coated Finish

				THIS IS WHOLESALE .CO.UK	DRAWN <i>Kim</i> DESIGNED	22/12/2025	PROJECT Aluminum Frameless Glass Balustrade Channel	TITLE Powder Coating Cover Outer Side A	SCALE AS SHOWN SHEET		
					APPROVED		MATERIAL 6063-T5	FINISH	DRAWING No.		
ISSUE	DATE	DESCRIPTION	BY				PROJECT No.	WBS	TYPE	NUMBER	REV
							-	-	-	-	-



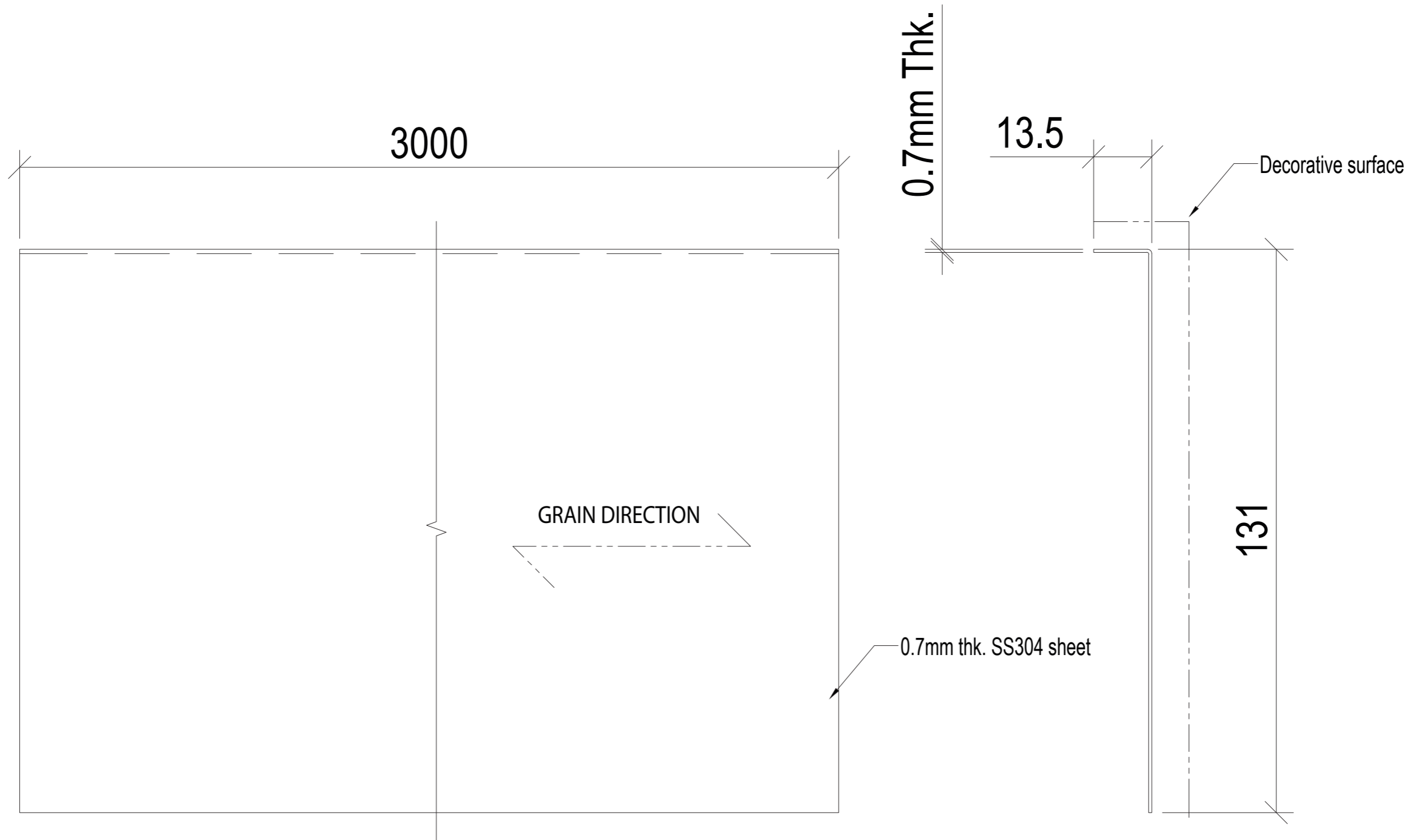
Notes:
 Finish: MATT Powder Coating Finish

					DRAWN <i>Kim</i> DESIGNED 22/12/2025	PROJECT Aluminum Frameless Glass Balustrade Channel	TITLE Powder Coated Cover Trim - Inside Side B	SCALE AS SHOWN
					APPROVED	MATERIAL 6063-T5	FINISH	SHEET
ISSUE	DATE	DESCRIPTION	BY			DRAWING No.	PROJECT No. WBS TYPE NUMBER REV - - - -	



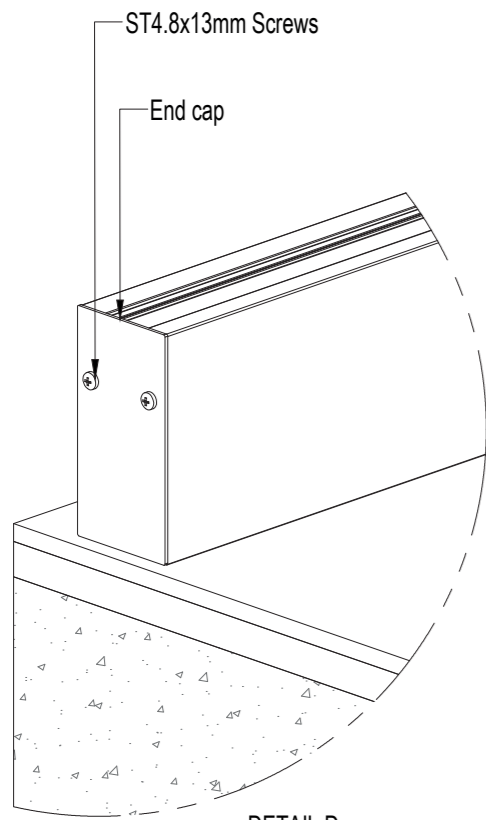
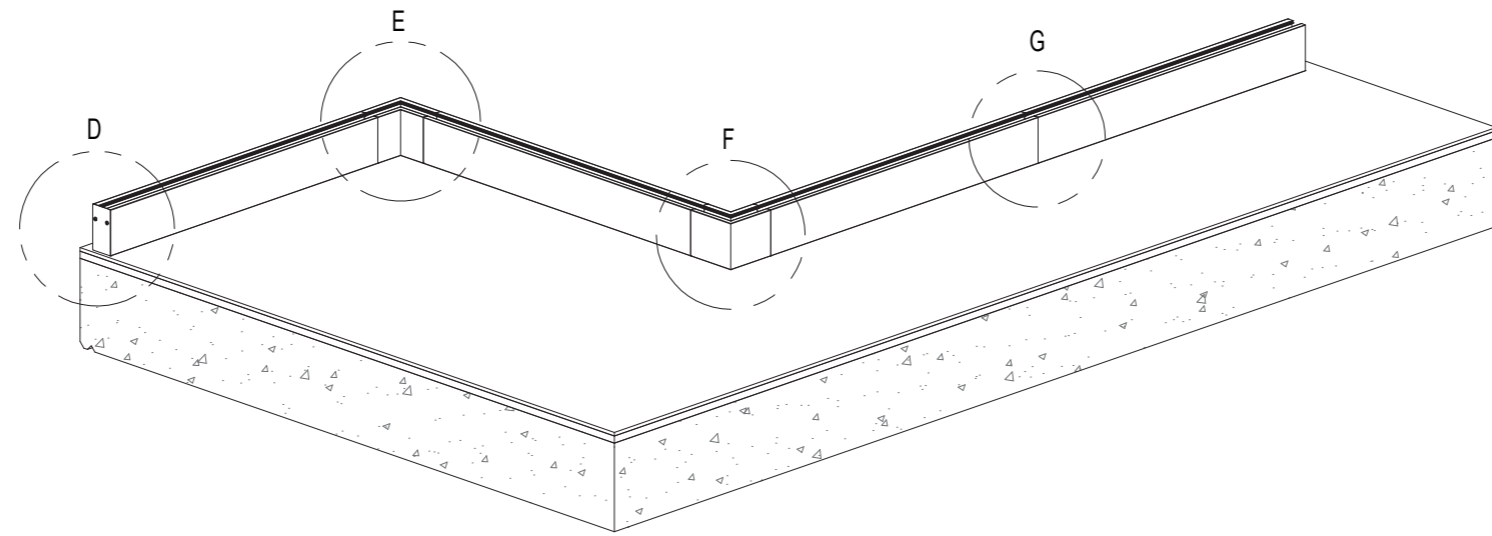
Notes:
Finish: Brushed Satin

				THIS IS WHOLESALE CO.UK		DRAWN <i>Kim</i> DESIGNED		22/12/2025		PROJECT Aluminum Frameless Glass Balustrade Channel		TITLE Stainless Steel Trim Cover - Outside Side A		SCALE AS SHOWN SHEET	
						APPROVED				MATERIAL AISI 304		FINISH		PROJECT No. WBS TYPE NUMBER REV	
ISSUE	DATE	DESCRIPTION		BY						DRAWING No.		-		-	

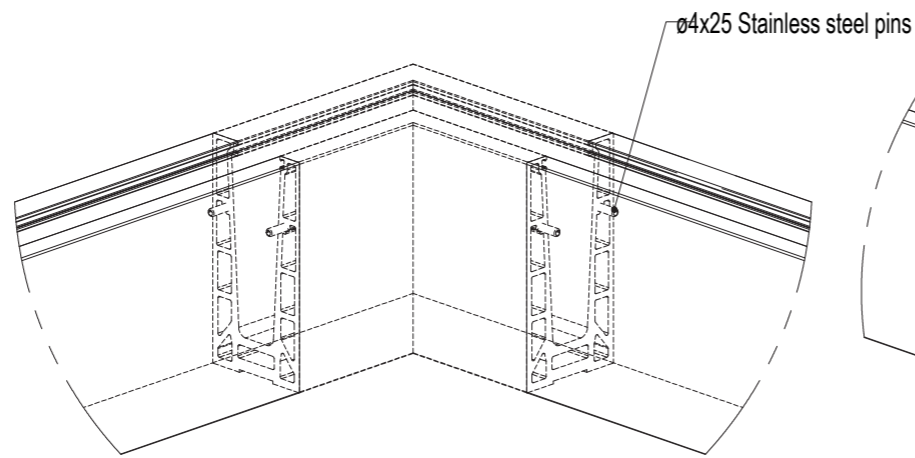


Notes:
Finish: Brushed Satin

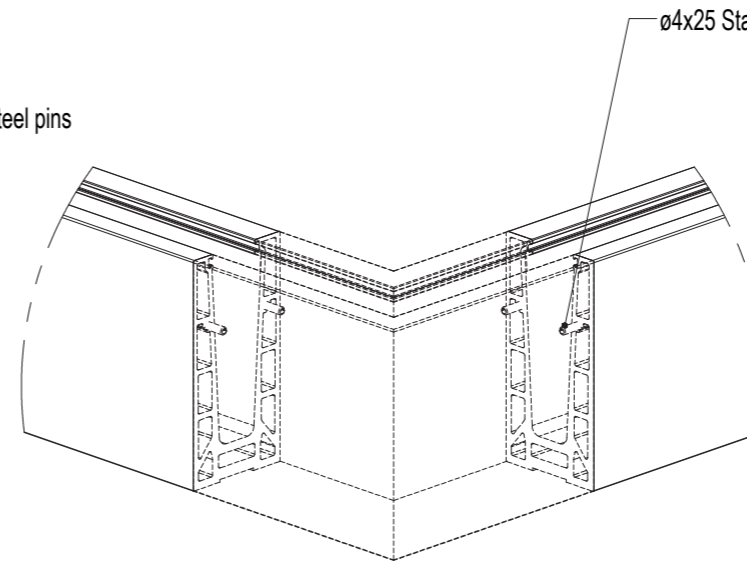
				THIS IS WHOLESALE .CO.UK	DRAWN <i>Kim</i> DESIGNED	22/12/2025	PROJECT Aluminum Frameless Glass Balustrade Channel	TITLE Stainless Steel Trim Cover Inside Side B	SCALE AS SHOWN SHEET		
					APPROVED		MATERIAL AISI 304	FINISH	DRAWING No.		
ISSUE	DATE	DESCRIPTION	BY				PROJECT No.	WBS	TYPE	NUMBER	REV
							-	-	-	-	-



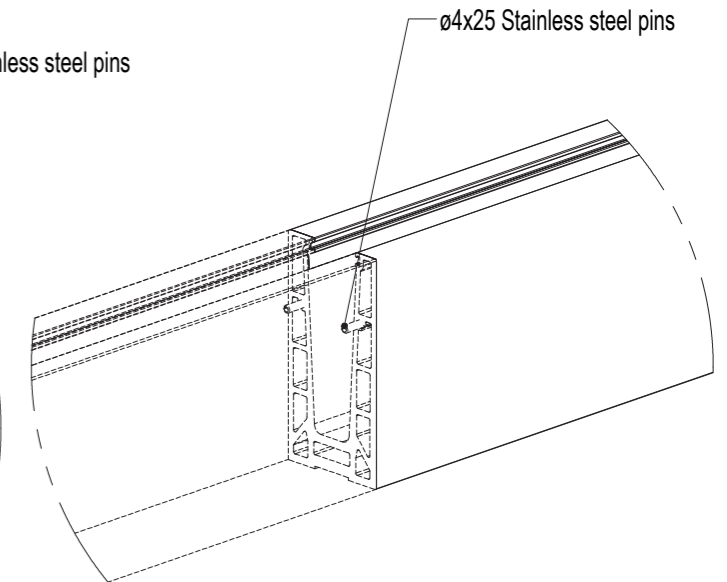
DETAIL D
SCALE 1 : 4



DETAIL E
SCALE 1 : 4



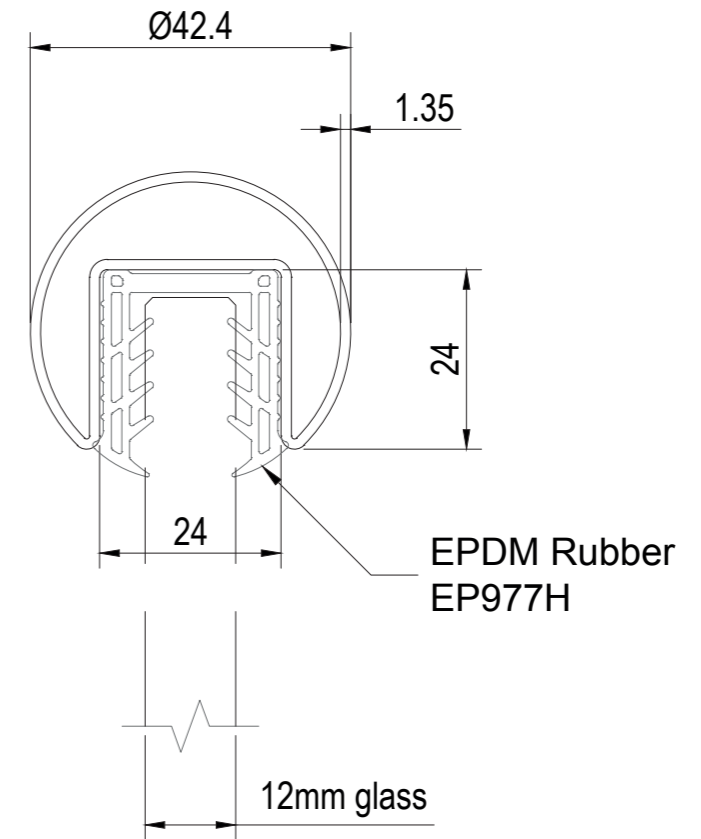
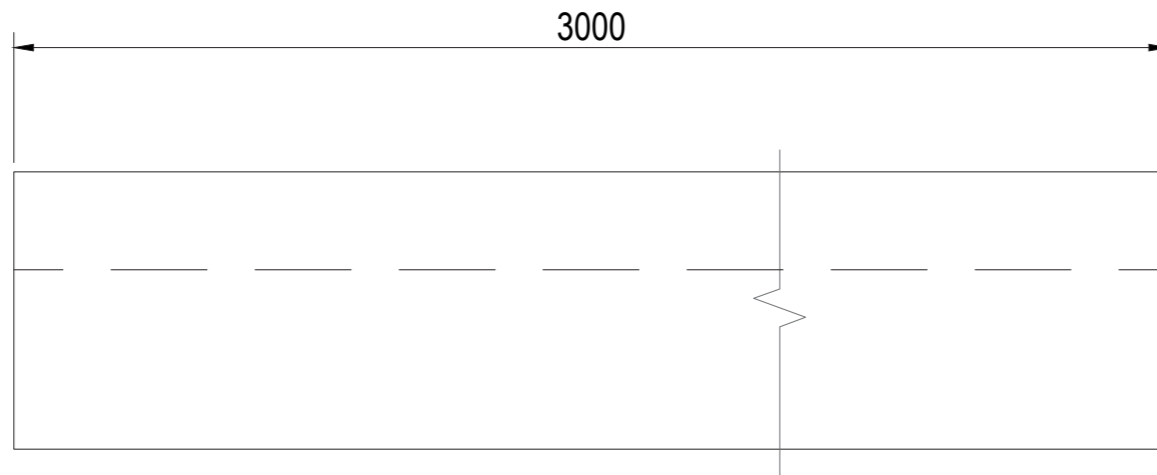
DETAIL F
SCALE 1 : 4




DETAIL G
SCALE 1 : 4

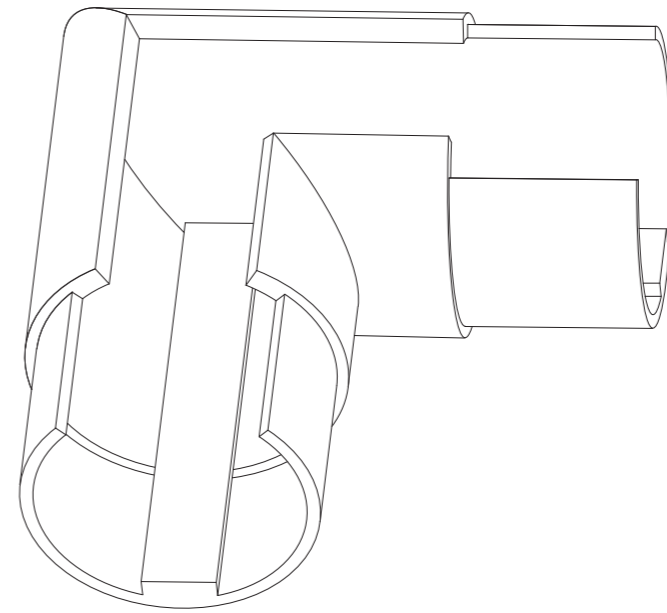
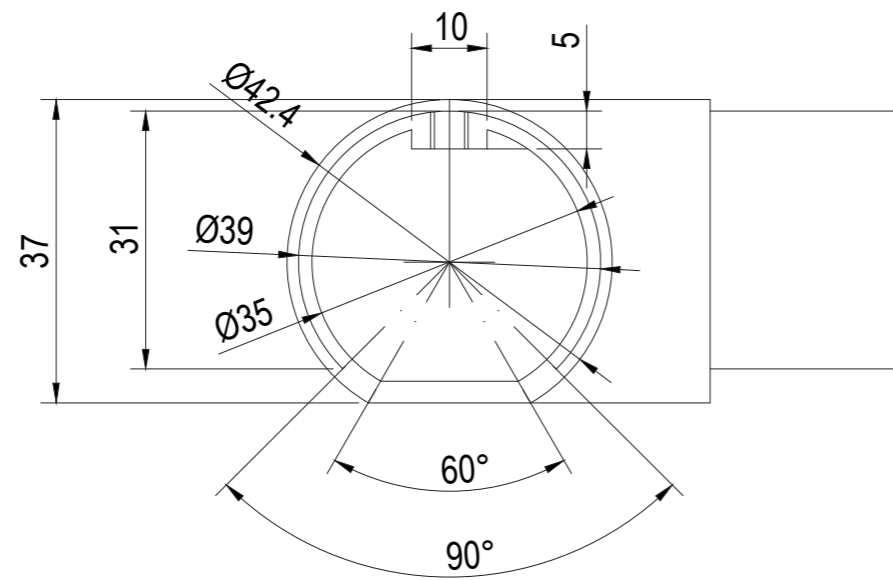
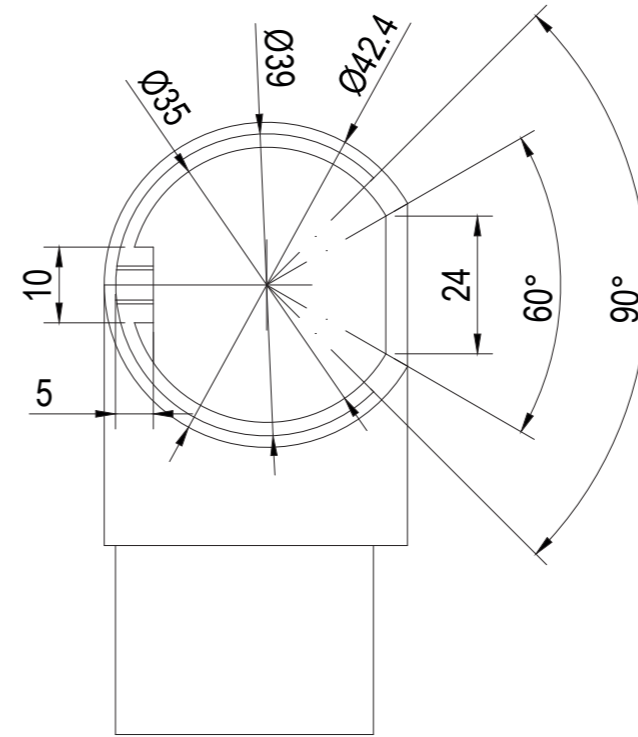
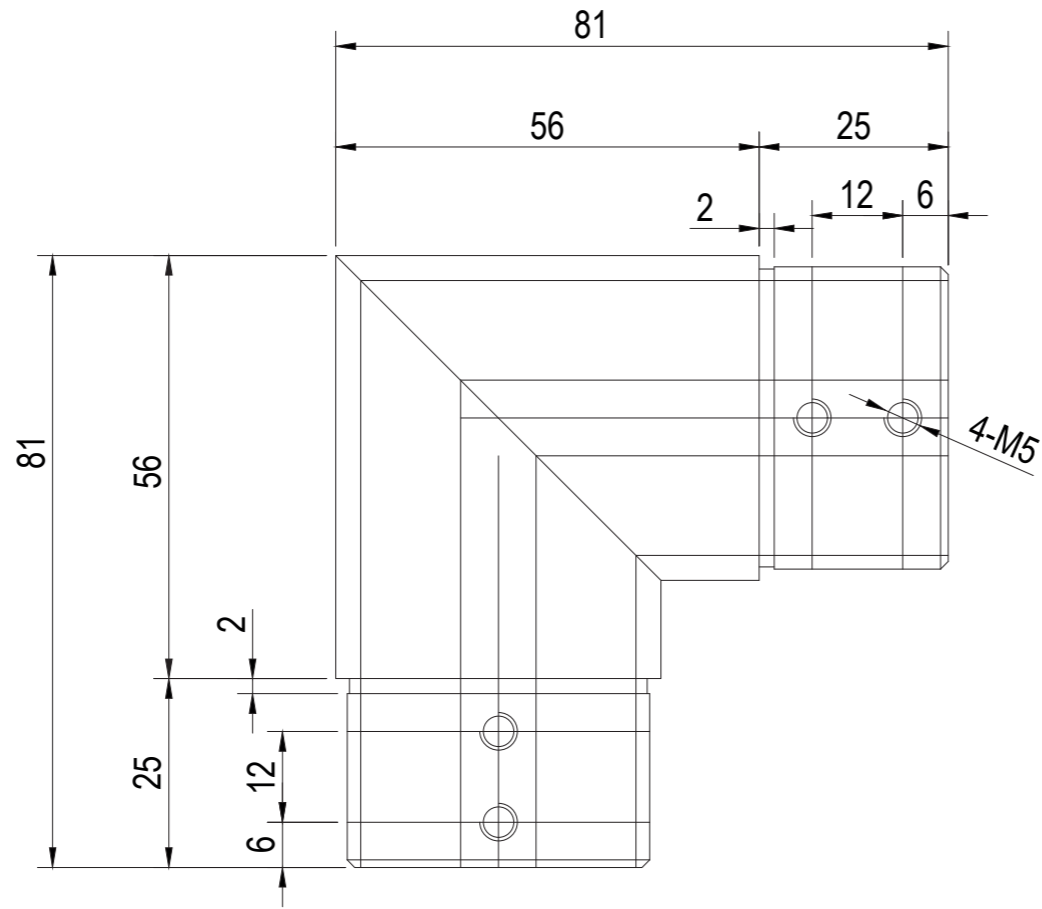
Notes: Use 2 Nos ø 4x25 stainless steel pins at all connections

						DRAWN <i>Kim</i> DESIGNED 22/12/2025		PROJECT Aluminum Frameless Glass Balustrade Channel		TITLE Connection Pin Details		SCALE AS SHOWN SHEET	
						APPROVED		MATERIAL FINISH		DRAWING No.		PROJECT No. WBS TYPE NUMBER REV - - - -	
ISSUE	DATE	DESCRIPTION	BY										

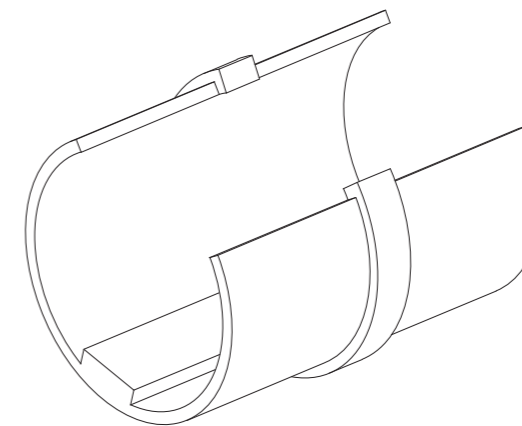
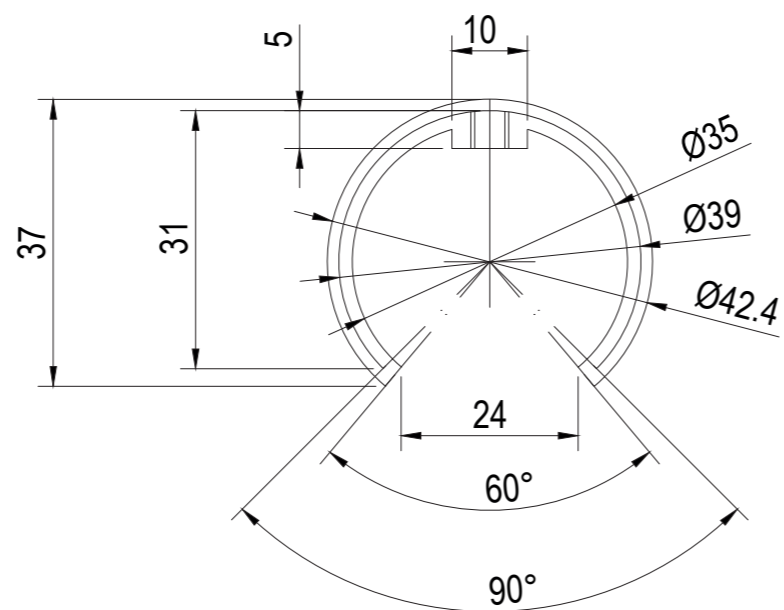
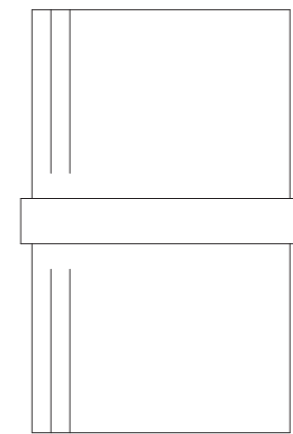
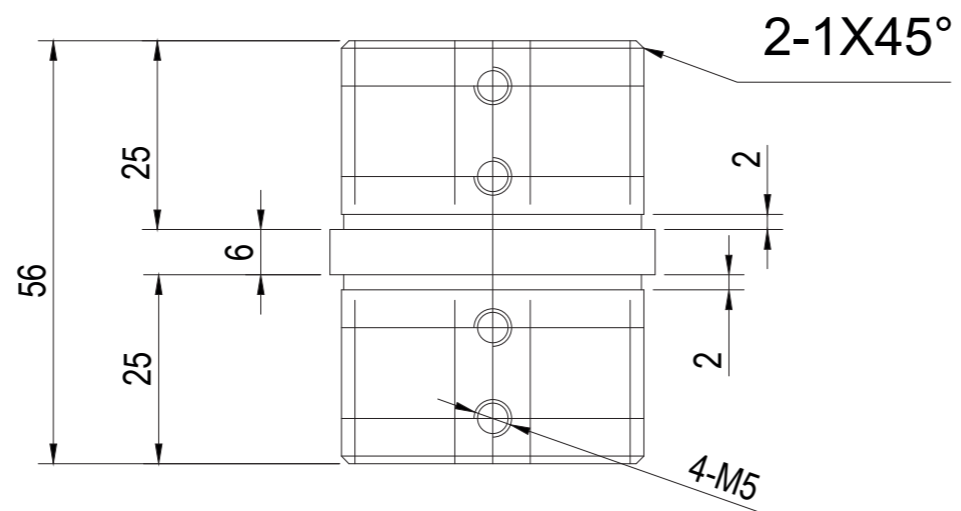


Notes:
Finish: Brushed Satin

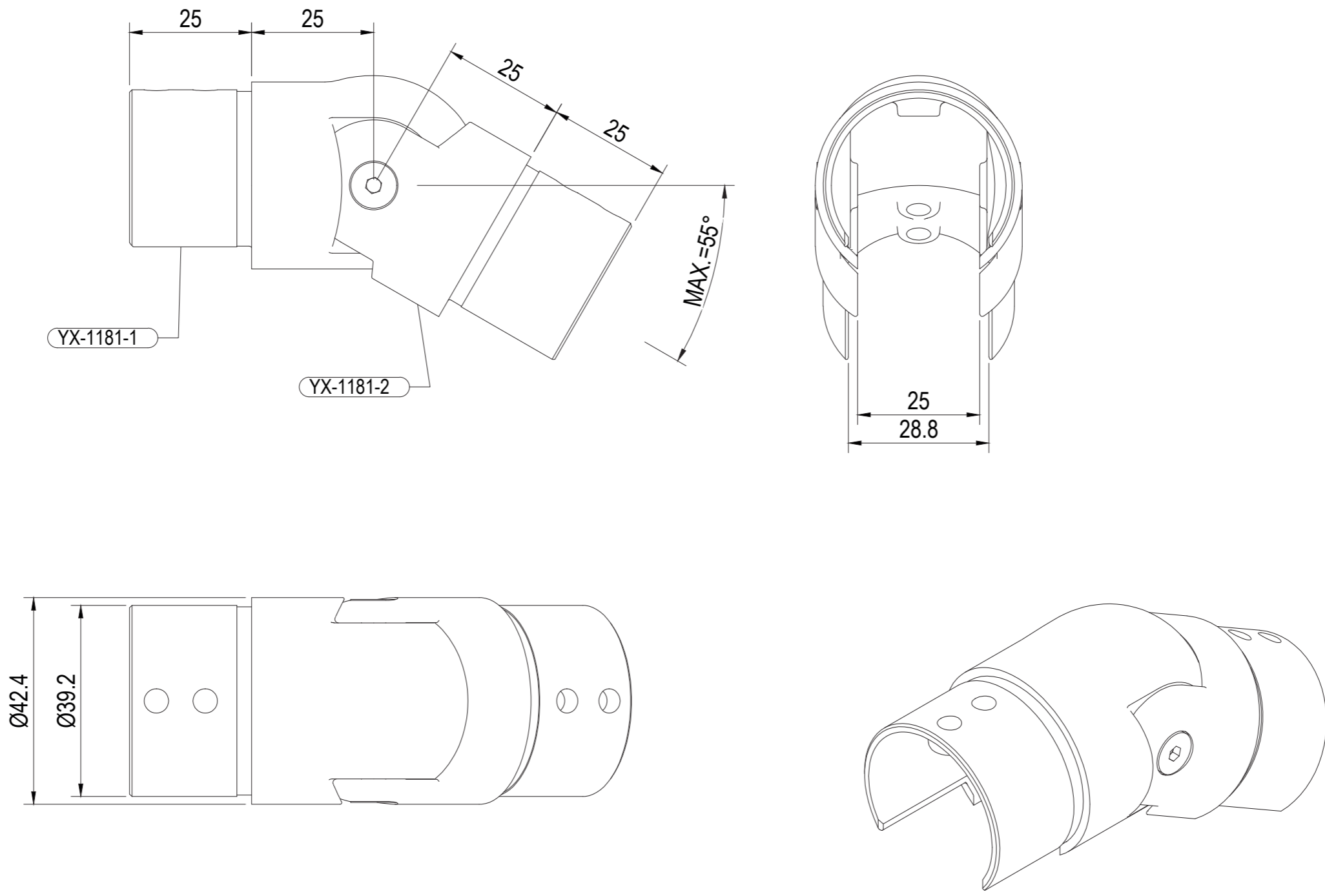
				THIS IS  .CO.UK		DRAWN <i>Kim</i> DESIGNED		22/12/2025		PROJECT Aluminum Frameless Glass Balustrade Channel		TITLE Stainless steel handrail 3m		SCALE AS SHOWN SHEET	
						APPROVED				MATERIAL AISI 304		FINISH		DRAWING No.	
ISSUE	DATE	DESCRIPTION		BY						PROJECT No.		WBS	TYPE	NUMBER	REV
										-		-	-	-	-



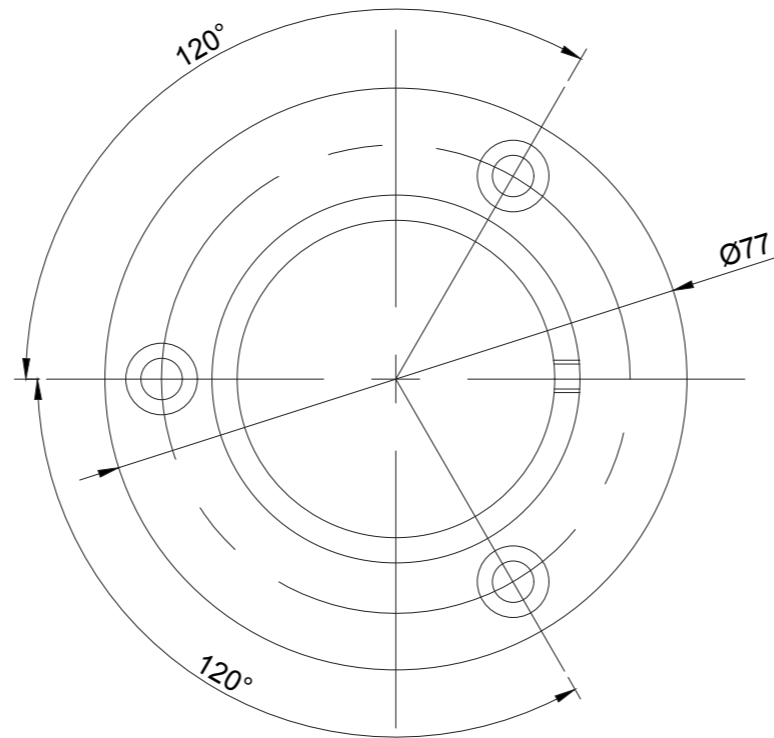
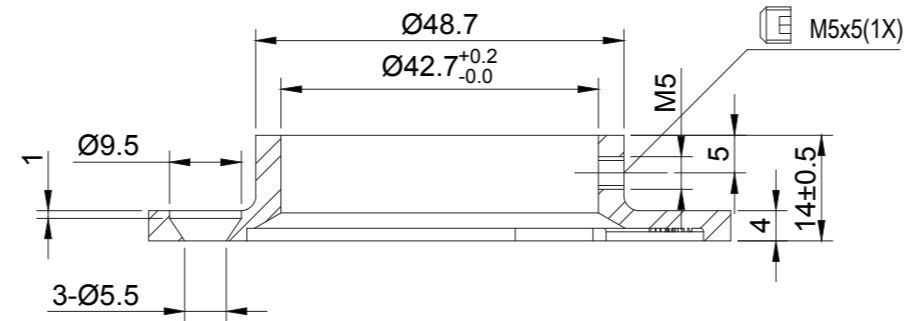
		THIS IS WHOLESALE CO.UK		DRAWN <i>Kim</i> DESIGNED	22/12/2025	PROJECT Aluminum Frameless Glass Balustrade Channel	TITLE 90 deg elbow for top handrial	SCALE AS SHOWN SHEET
				APPROVED		MATERIAL AISI 304	FINISH Satin	DRAWING No. PROJECT No. WBS TYPE NUMBER REV
ISSUE	DATE	DESCRIPTION		BY				



		THIS IS WHOLESALE .CO.UK		DRAWN <i>Kim</i> DESIGNED	22/12/2025	PROJECT Aluminum Frameless Glass Balustrade Channel	TITLE Inline connector for top handrail	SCALE AS SHOWN SHEET	
				APPROVED		MATERIAL AISI 304	FINISH Satin	DRAWING No.	PROJECT No. WBS TYPE NUMBER REV
ISSUE	DATE	DESCRIPTION		BY				-	-



						DRAWN <i>Kim</i> 22/12/2025 DESIGNED		PROJECT Aluminum Frameless Glass Balustrade Channel			TITLE Adjustable elbow for top handrail		SCALE AS SHOWN SHEET	
						APPROVED		MATERIAL AISI 304			FINISH Satin		PROJECT No. WBS TYPE NUMBER REV - - - -	
ISSUE	DATE	DESCRIPTION	BY											



				THIS IS WHOLESALE .CO.UK	DRAWN <i>Kim</i> DESIGNED	22/12/2025	PROJECT Aluminum Frameless Glass Balustrade Channel	TITLE Wall flange for top handrail	SCALE AS SHOWN SHEET		
					APPROVED		MATERIAL AISI 304	FINISH Satin	DRAWING No.		
ISSUE	DATE	DESCRIPTION	BY				PROJECT No.	WBS	TYPE	NUMBER	REV
							-	-	-	-	-